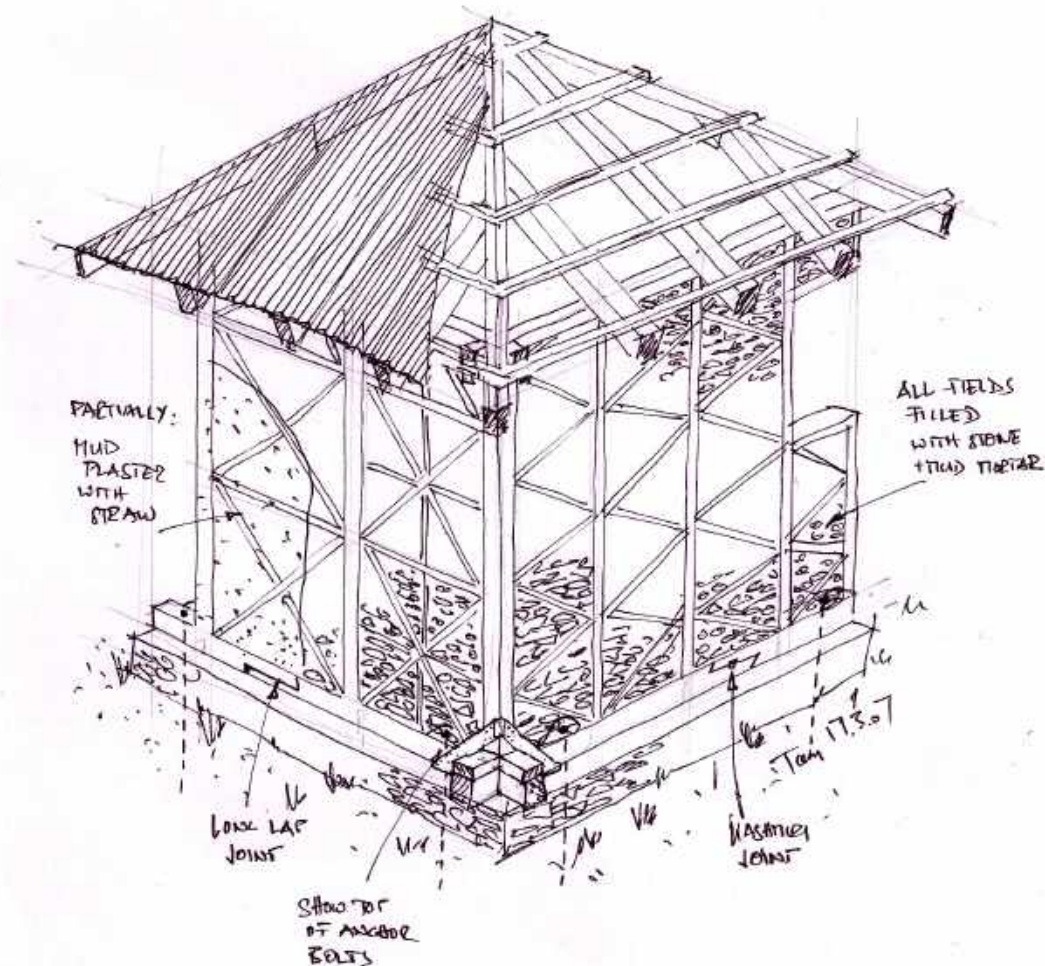


# Dhajji construction

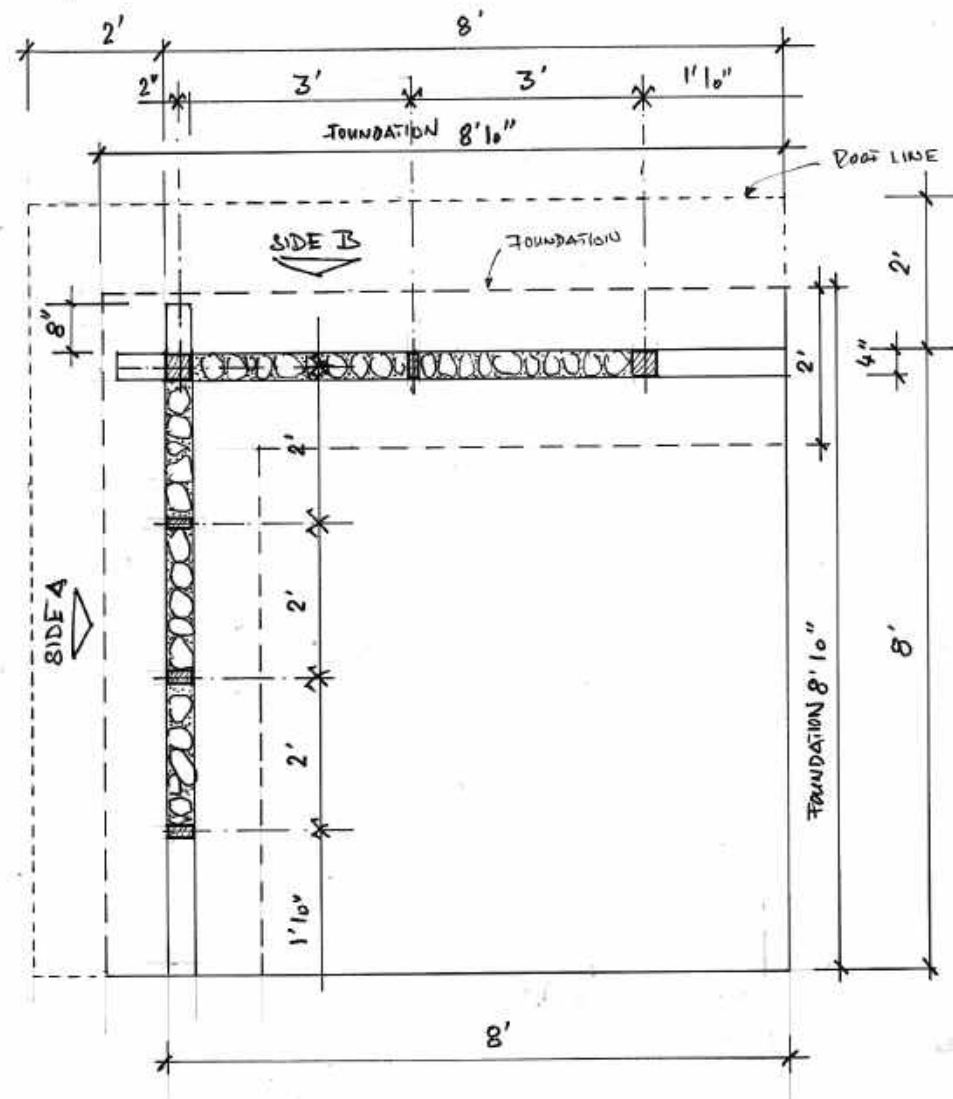
## SECTIONISED TODEZ "DAAJJI"



# Dhajji construction

- Layout

SECTIONISED MODEL "DHAJJI"



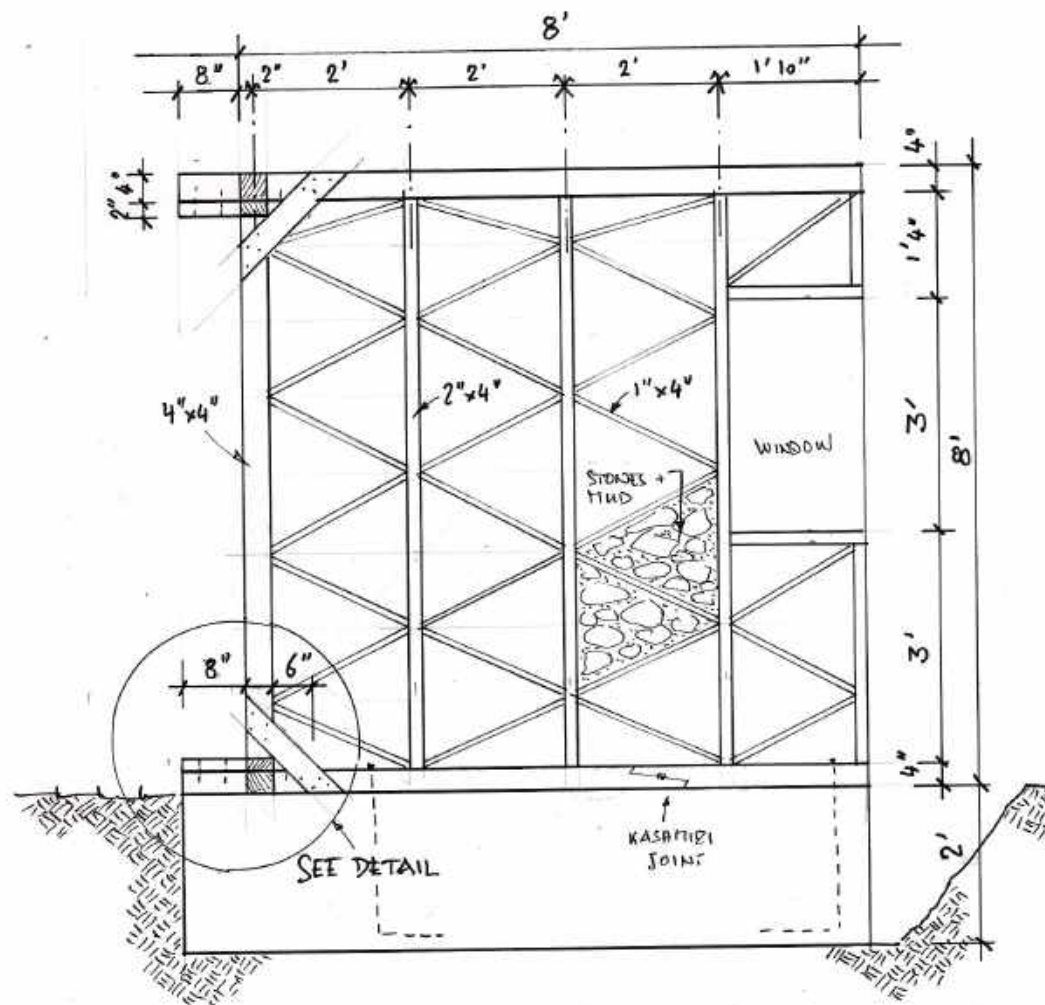
Tam 14.2.07

SECTIONISED MODEL "DHAJJI"

SIDE A

# Dhajji construction

- Side A

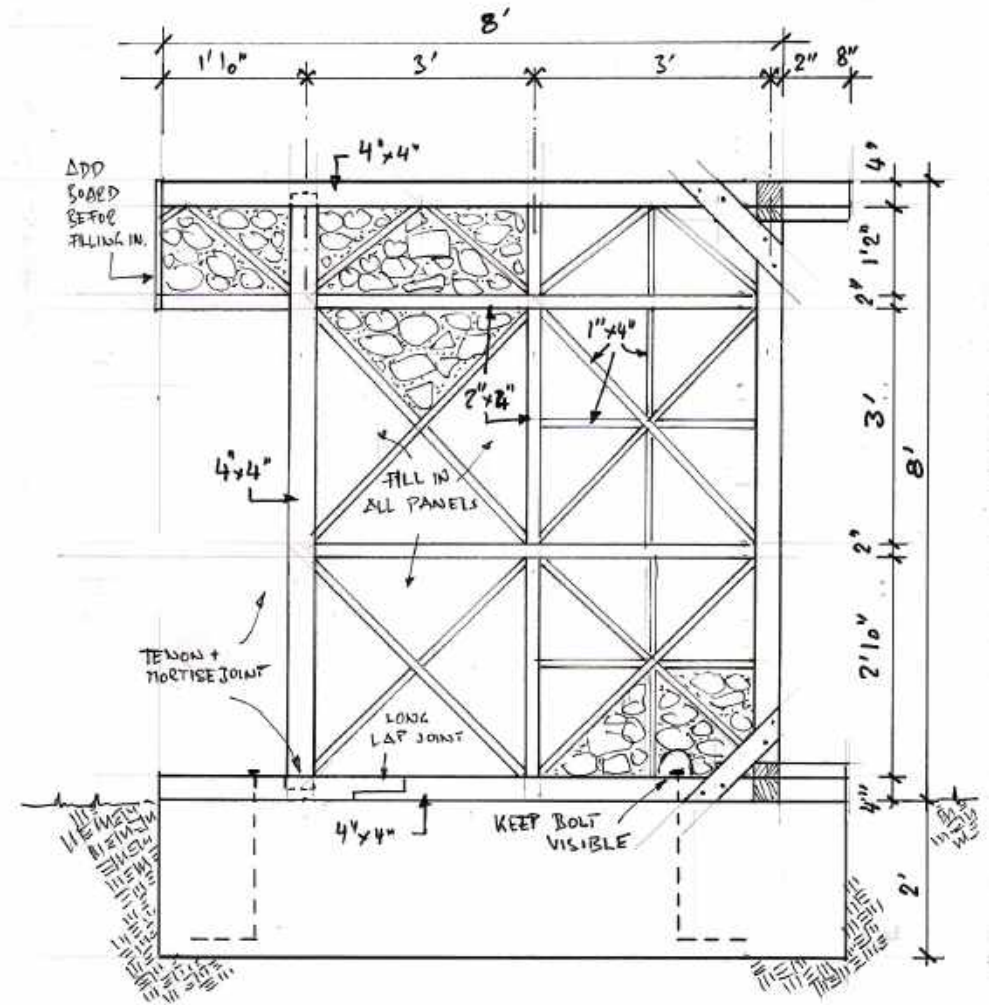


10m 14.3.07

SECTIONISED MODEL "DHAJJI"  
SIDE B

# Dhajji construction

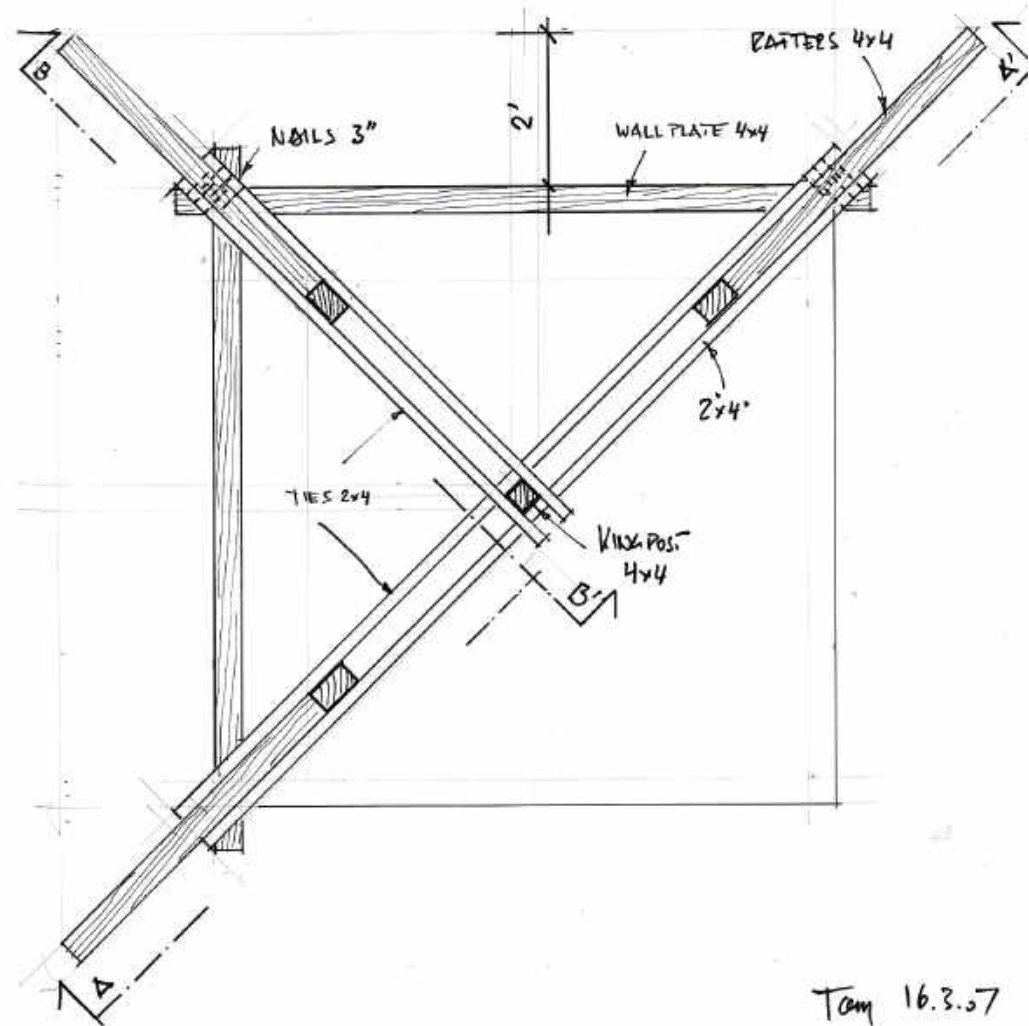
- Side B



SECTIONISED MODEL "DHAJJI"  
ROOF TRUSSES

# Dhajji construction

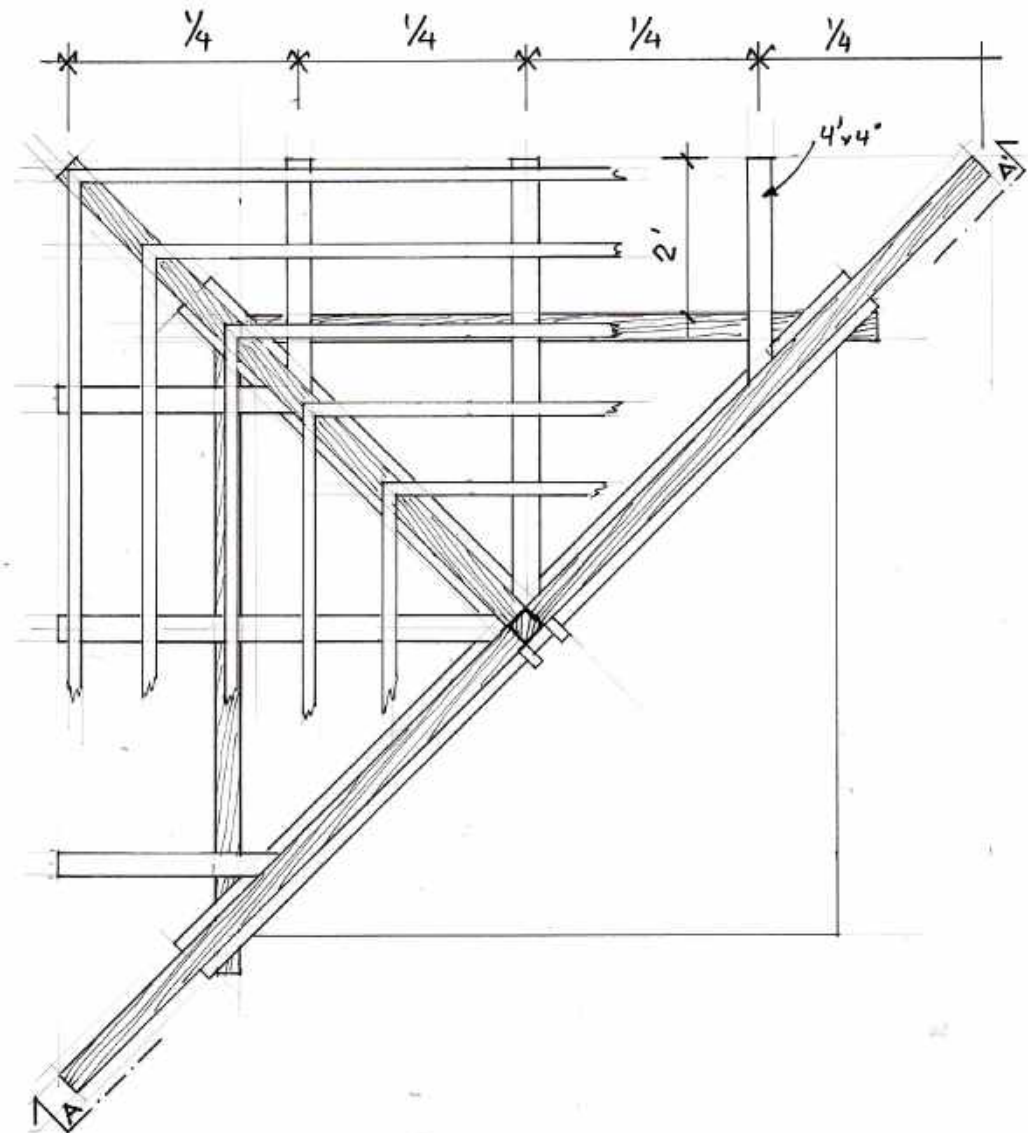
- Roof trusses





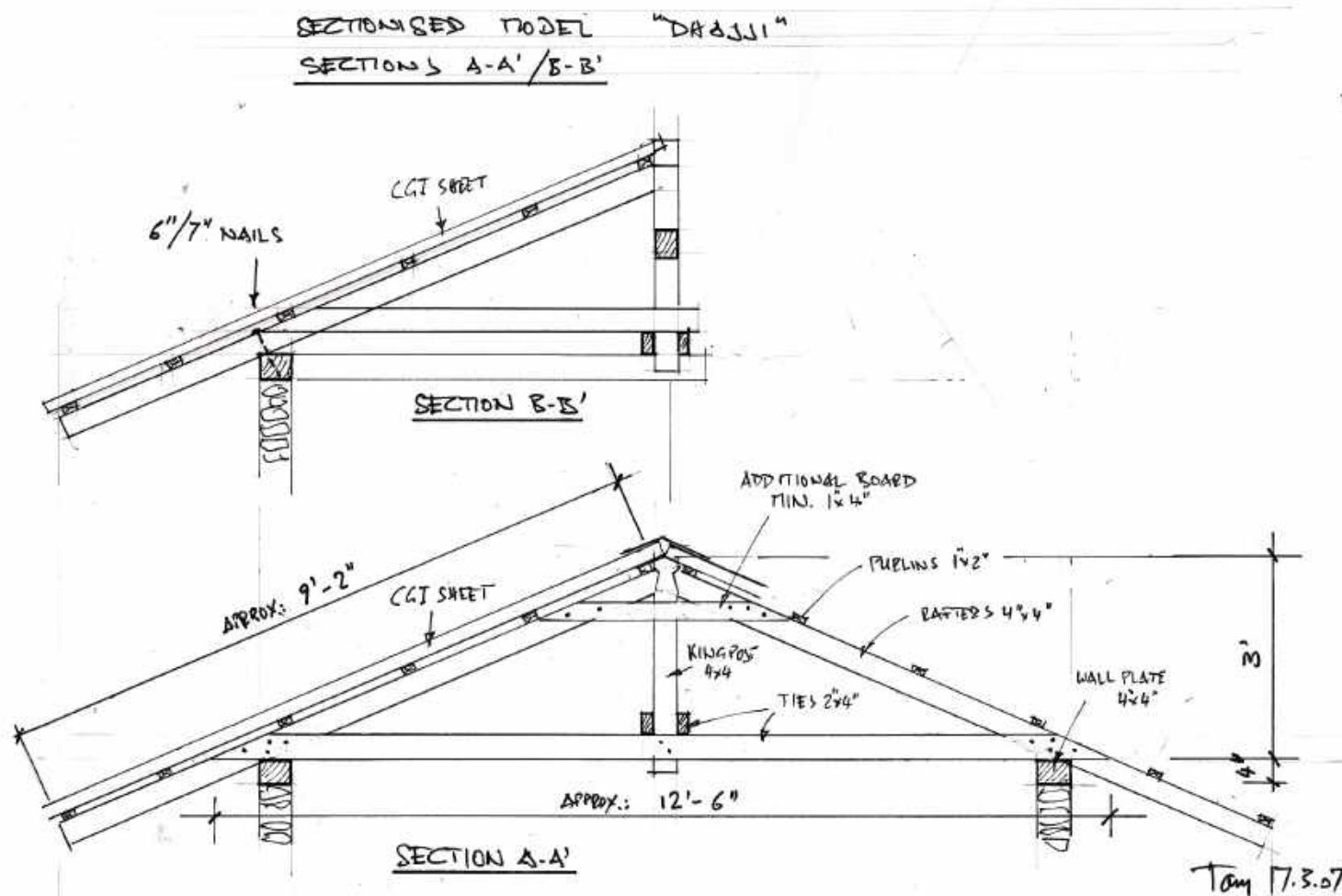
## Dhaji construction

- Rafters and purlins



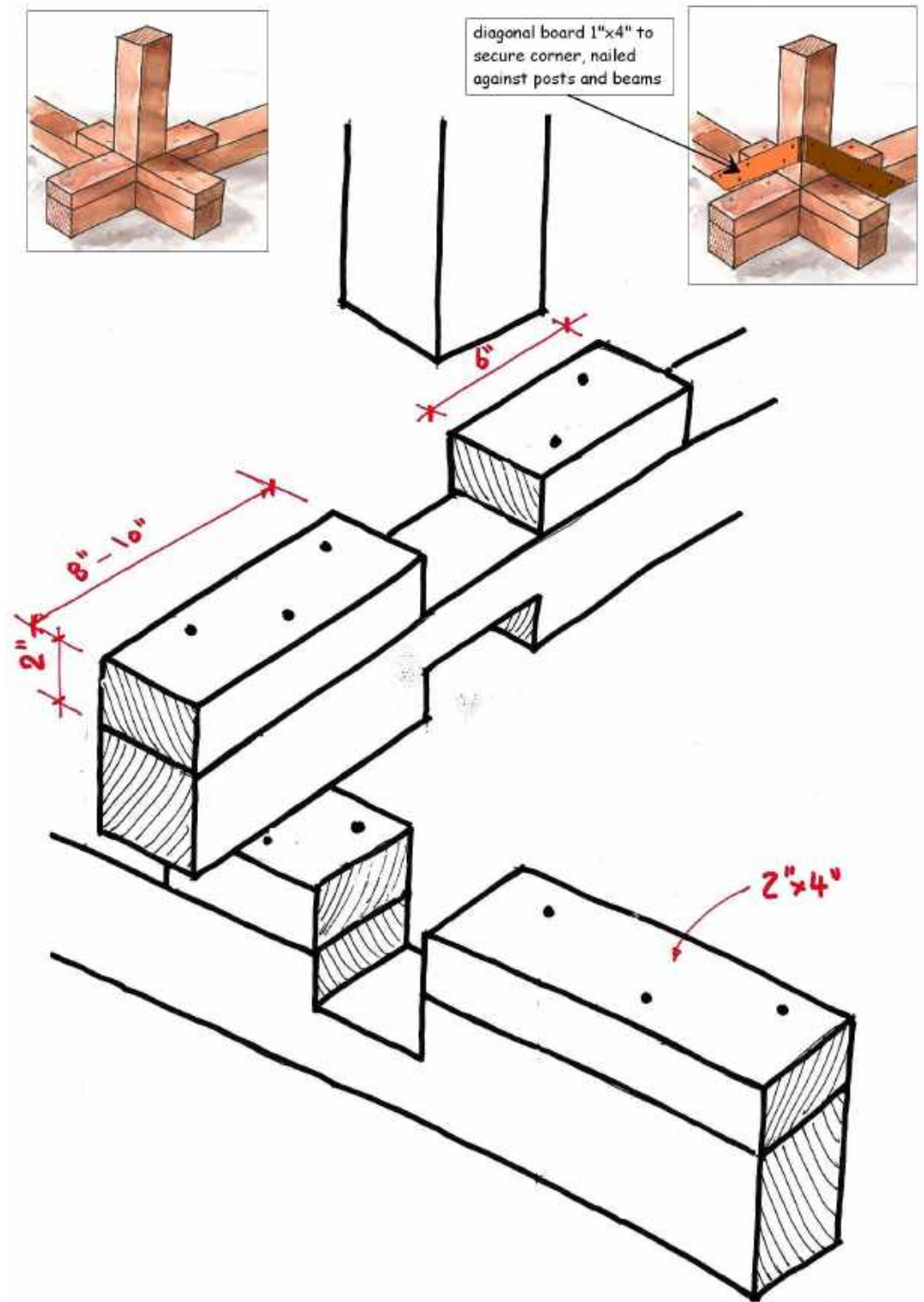
# Dhajji construction

- Section A-A
- Section B-B



# Dhajji construction

- Corner detail





## Dhajji construction

- Truss detail

